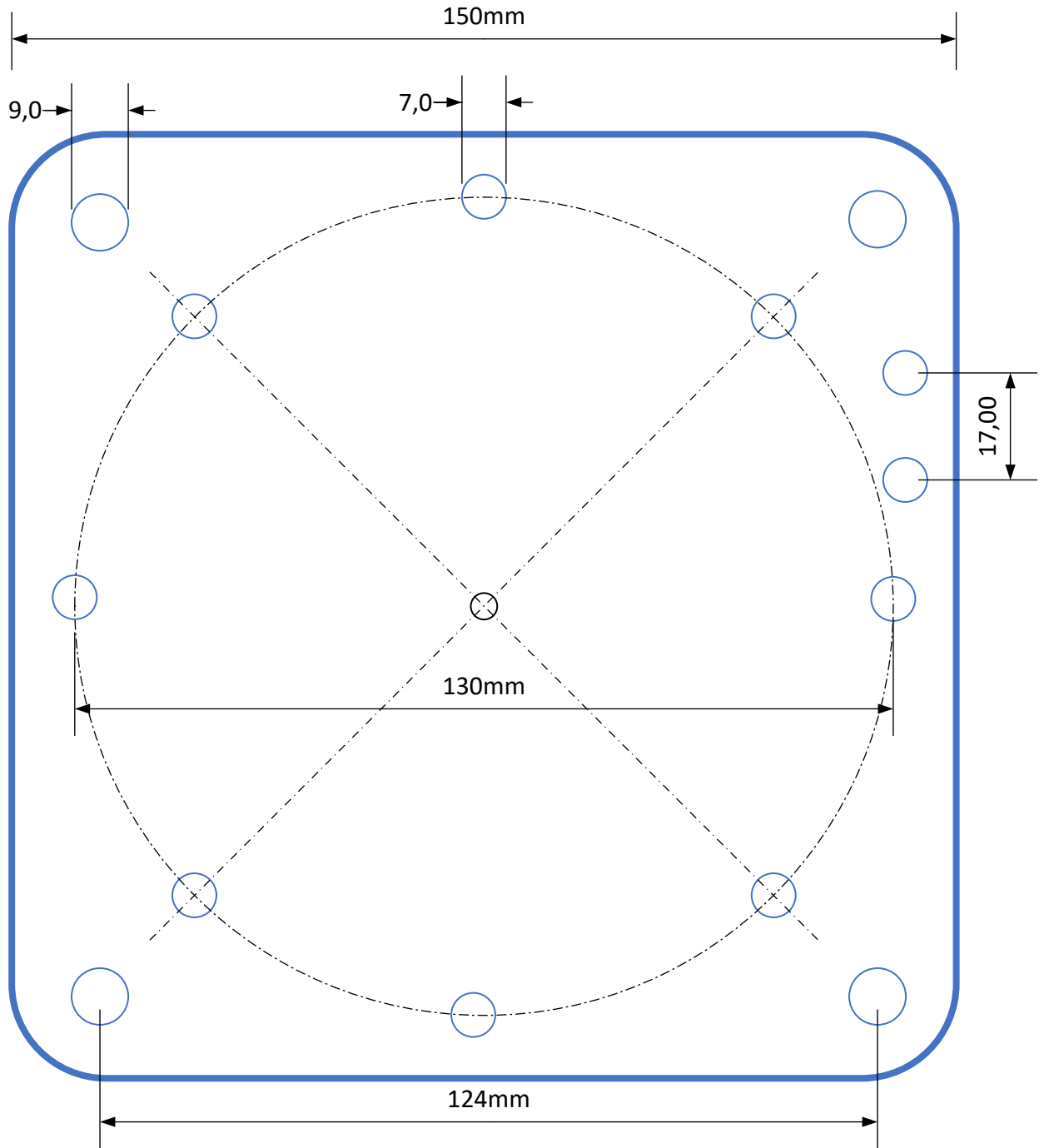
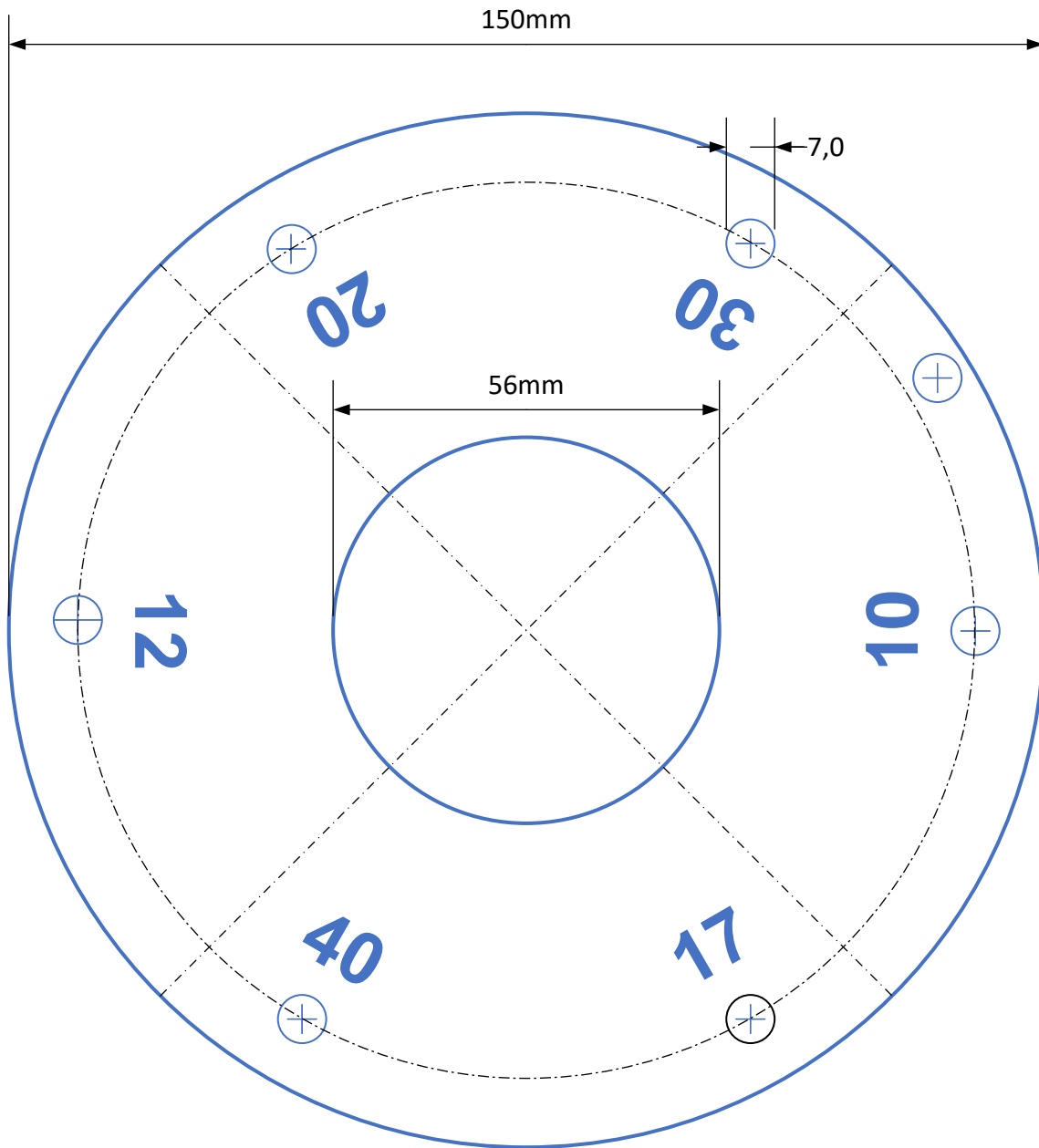


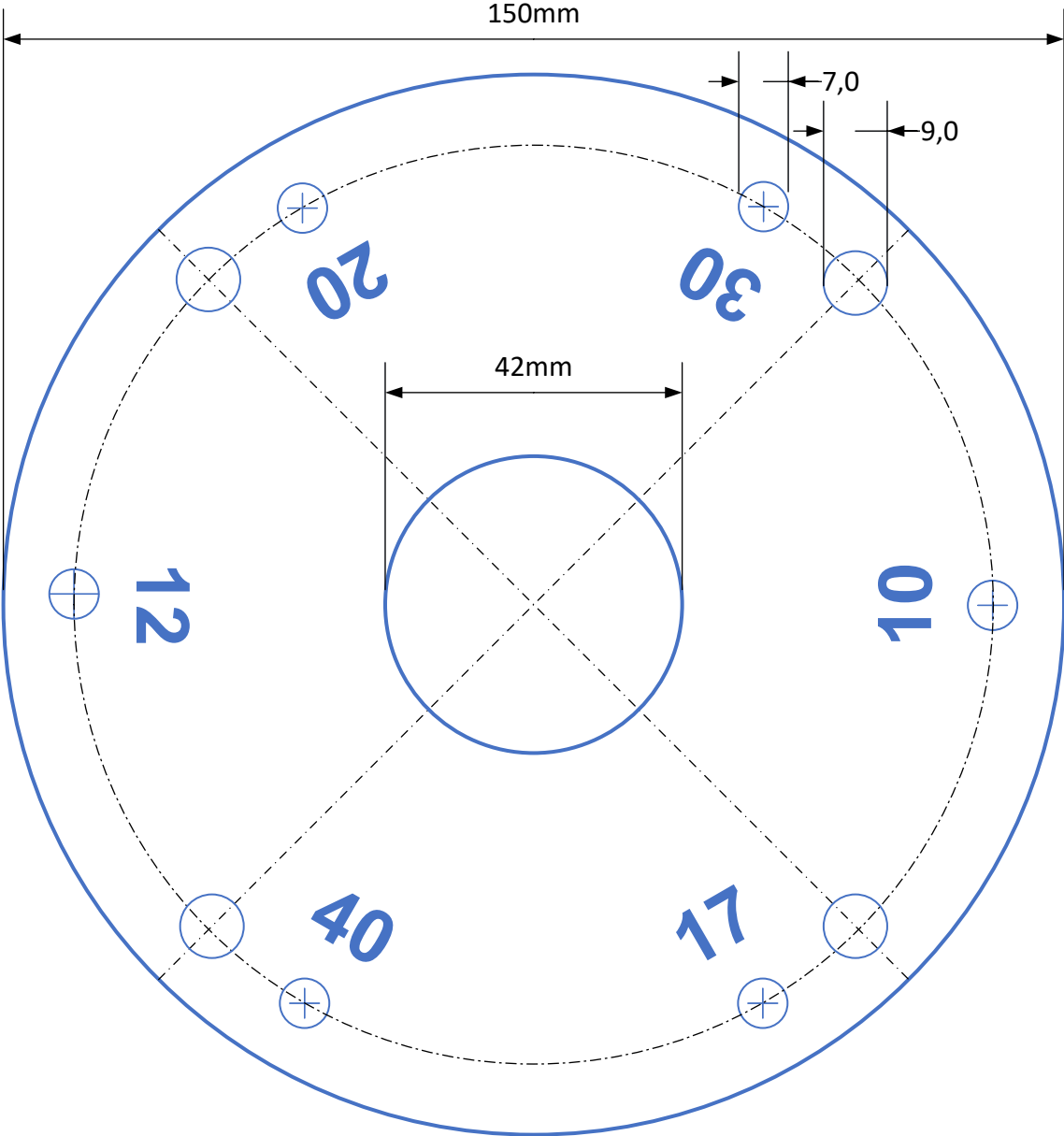
Base plate



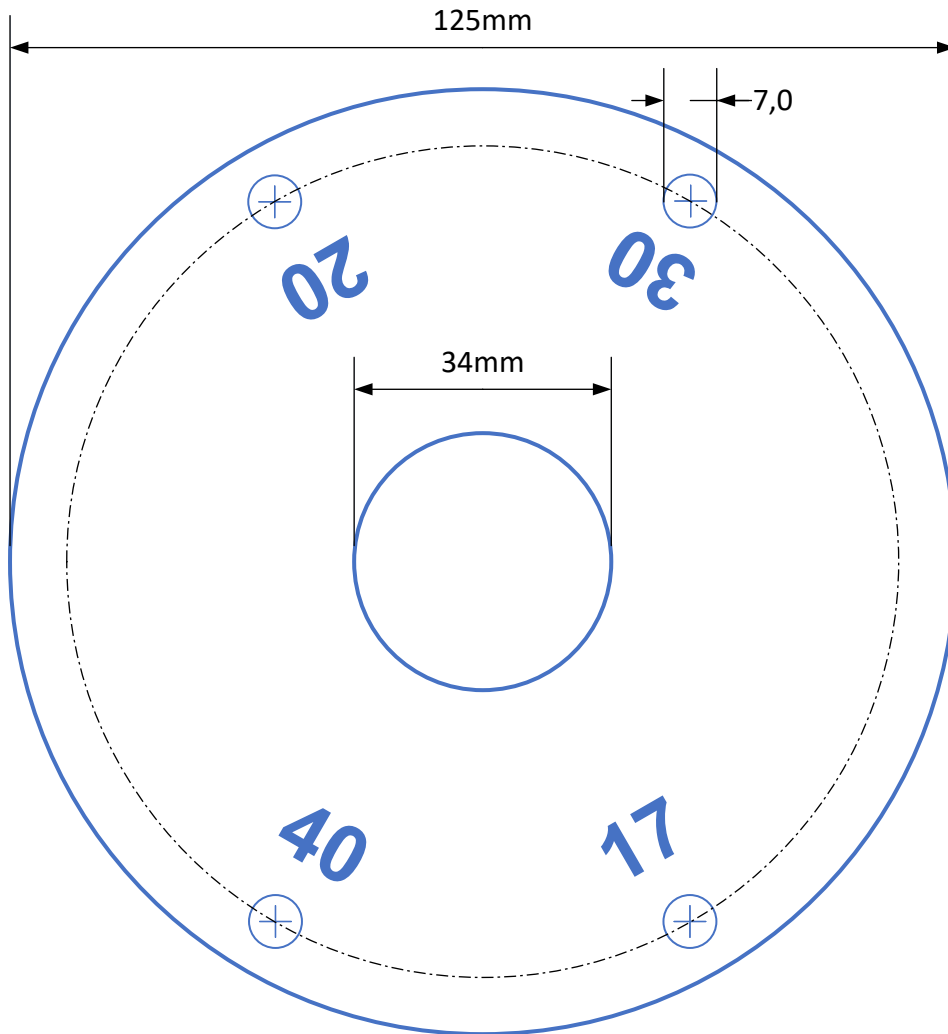
Radiator plate



Guy plate 1 (lower)



Spreader (middle)



Guy plate 2 (upper)

