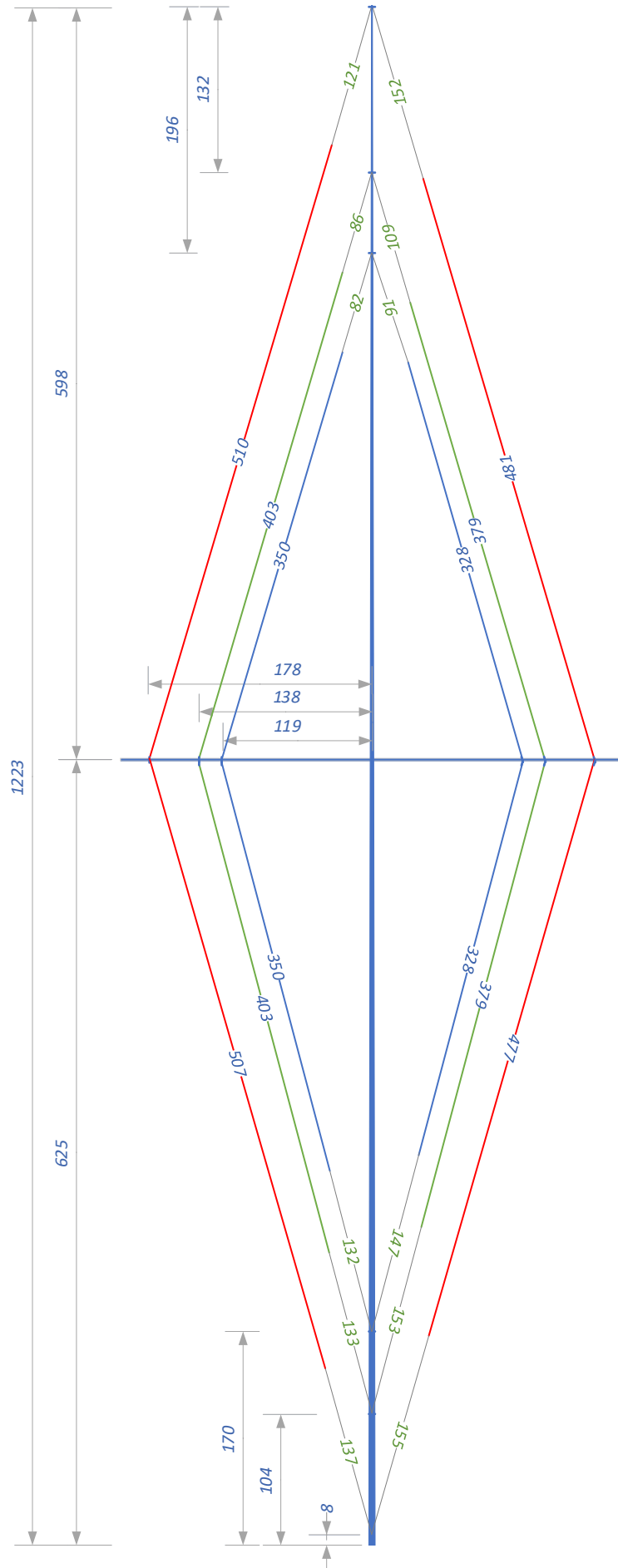


VDA 20-17-15m

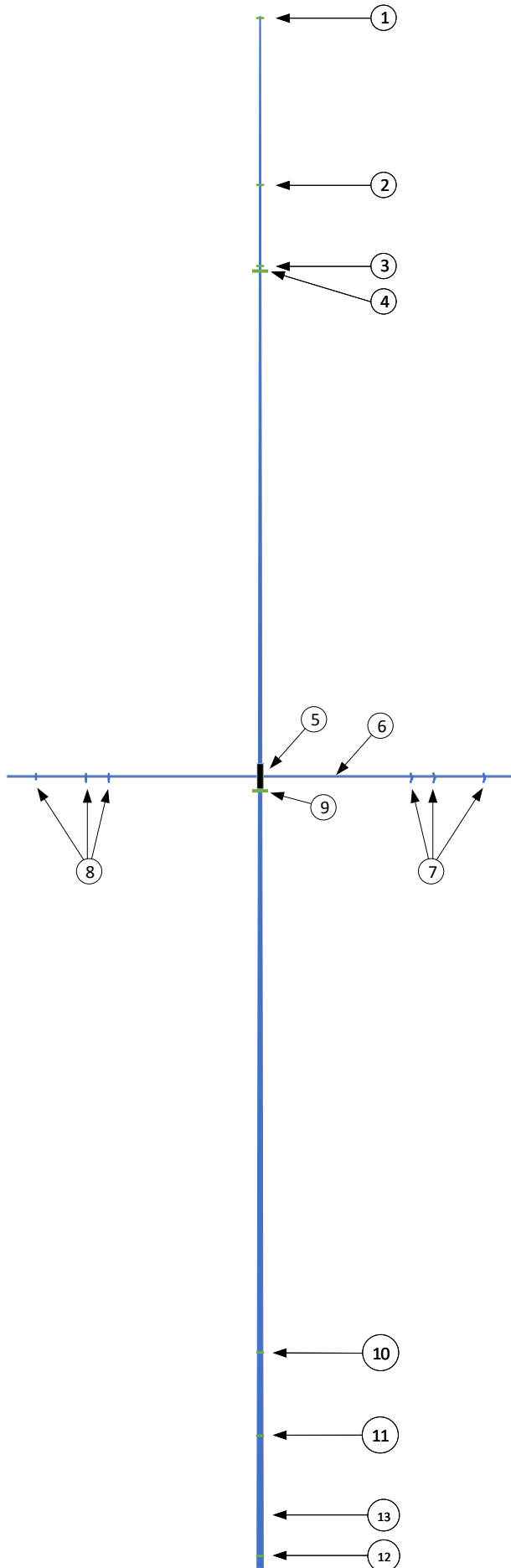


© PG5M 2020

Dimensions in cm

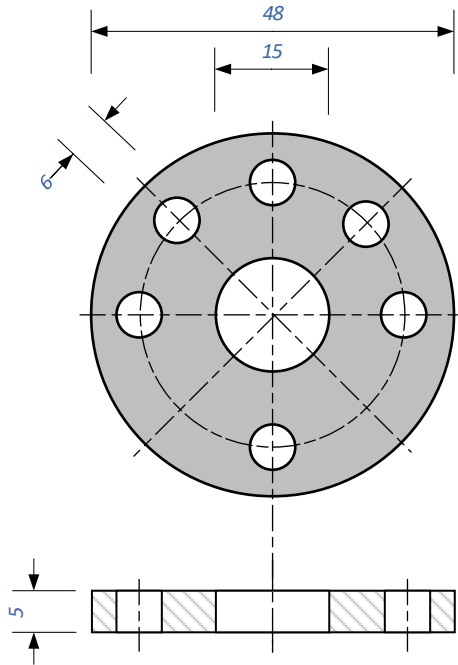
PAGE	DRAWN BY	TITLE	DATE	DESCRIPTION
1 OF 6	GERBEN MENTING - PG5M	VDA 20-17-15m	5/27/2021	Overall dimensions

VDA 20-17-15m

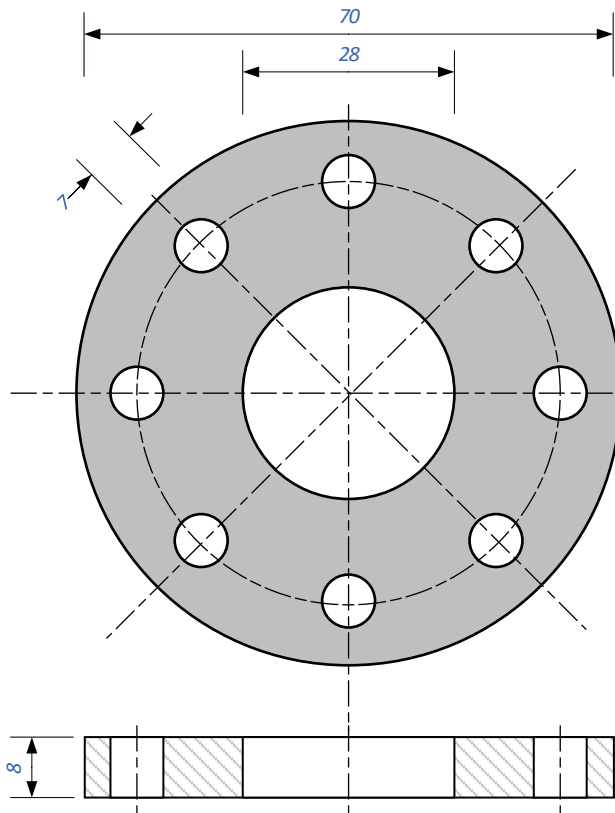


- 1 Top piece
- 2 Fixation point 17m
- 3 Fixation point 15m
- 4 Guy ring
- 5 Cross section boom-mast - aluminum
- 6 Boom section 2x Lakeside-1 300
- 7 Director spreaders
- 8 Reflector spreaders
- 9 Guy ring
- 10 Fixation point 15m
- 11 Fixation point 17m
- 12 Fixation point 20m
- 13 12.5m GFK mast DX-wire

PAGE	DRAWN BY	TITLE	DATE	DESCRIPTION
2 OF 7	GERBEN MENTING - PG5M	VDA 20-17-15m	5/27/2021	Parts overview

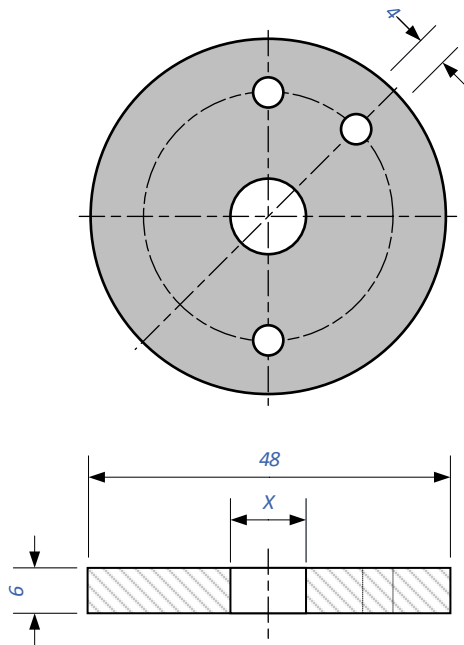


Top

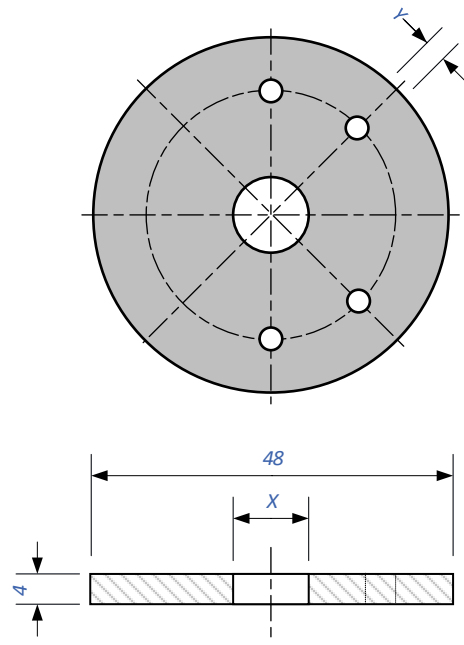


Middle

PAGE	DRAWN BY	TITLE	DATE	DESCRIPTION
3 OF 6	GERBEN MENTING - PG5M	VDA 20-17-15m	5/27/2021	Guy ring

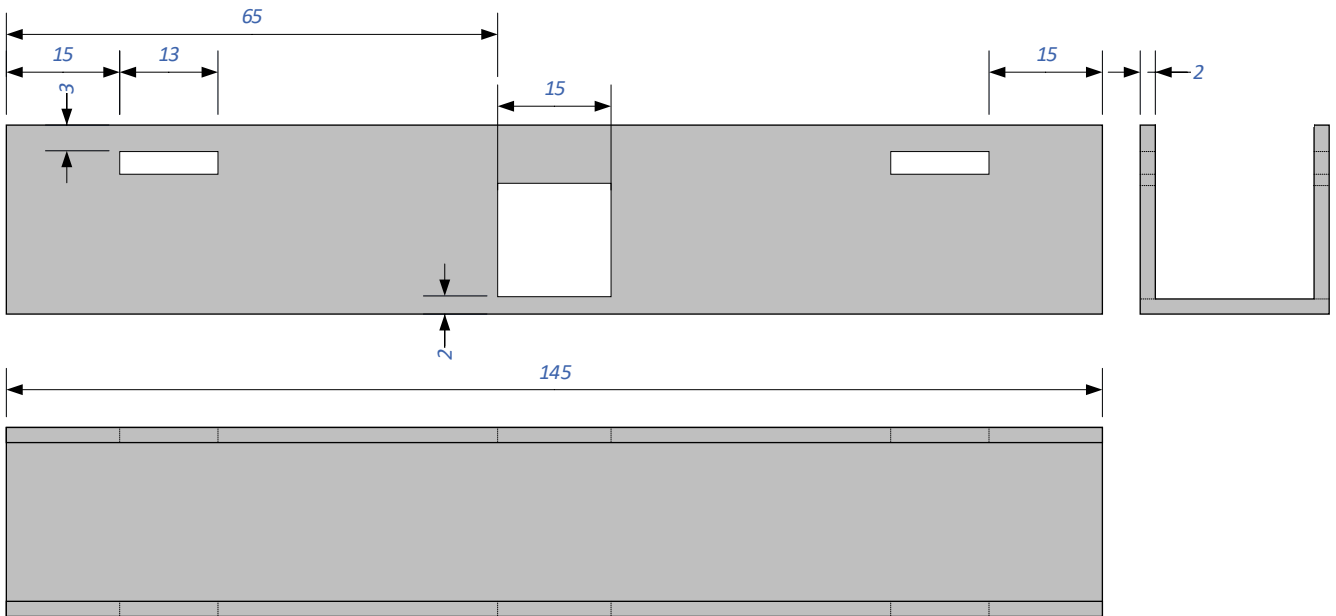


Feedpoint spreader

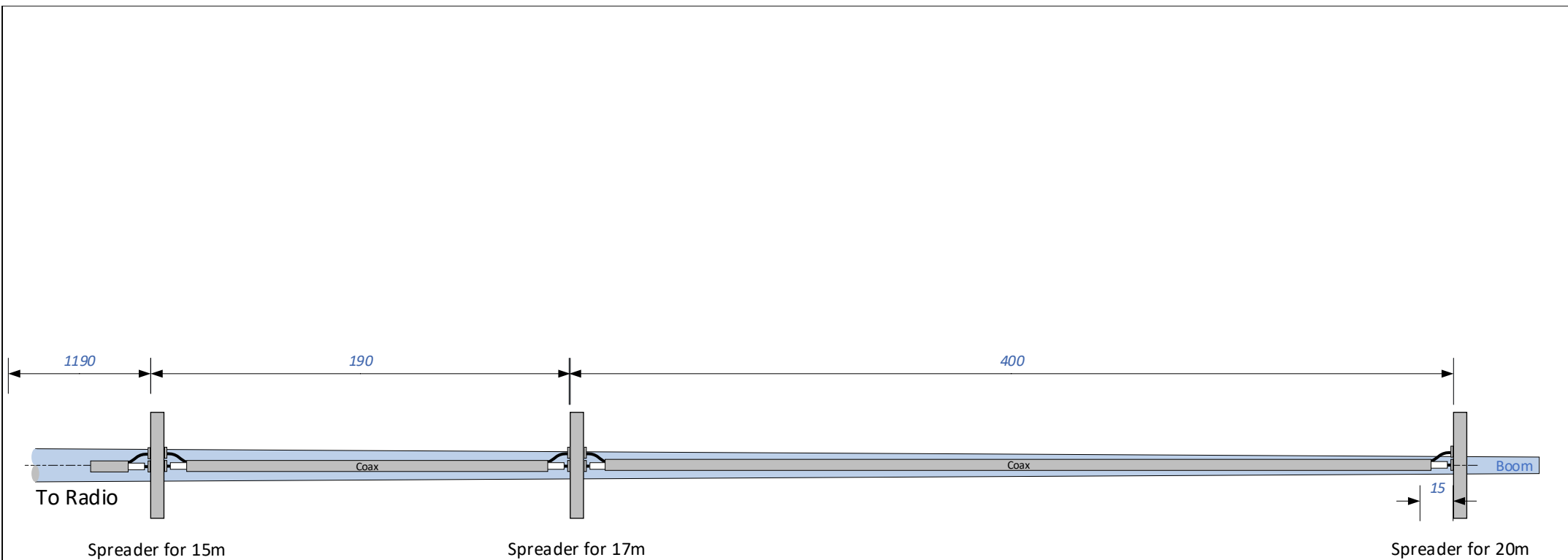


Reflector spreader

PAGE 4 OF 6	DRAWN BY GERBEN MENTING - PG5M	TITLE VDA 20-17-15m	DATE 5/27/2021	DESCRIPTION Director and reflector spreaders
----------------	-----------------------------------	------------------------	-------------------	---



PAGE 5 OF 6	DRAWN BY GERBEN MENTING - PG5M	TITLE VDA 20-17-15m	DATE 5/27/2021	DESCRIPTION Cross section boom-mast
----------------	-----------------------------------	------------------------	-------------------	--



© PG5M 2020

Dimensions in mm

PAGE	DRAWN BY	TITLE	DATE	DESCRIPTION
6 OF 6	GERBEN MENTING - PG5M	VDA 20-17-15m	5/27/2021	Coax Feeder Line